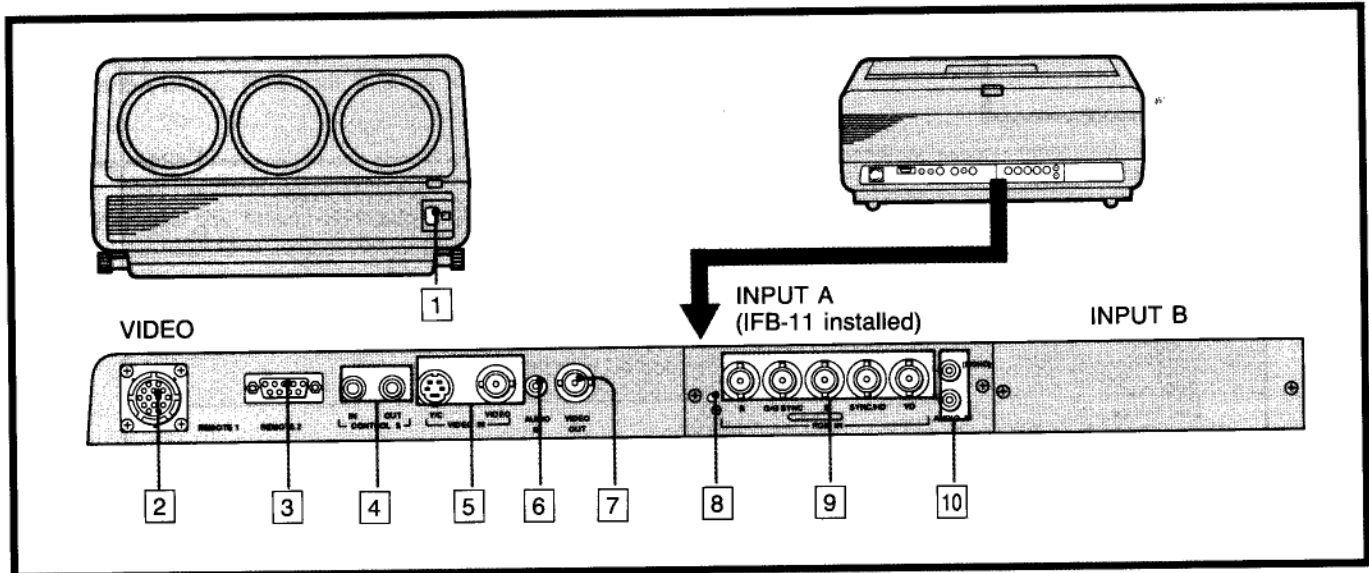


Connections

Contents		iv
		Page
Location and function of connectors		36
Connecting to the projector directly		37
Connecting video equipment and a computer equipped with the RGB output		37
Connecting when the projector is away from other equipment		40
Using the IFU-1271/1271M interface unit		40
Using the PC-1271/1271M switcher		41
Connecting more than four input sources		42
5BNC mode setting		43

Location and Function of Connectors



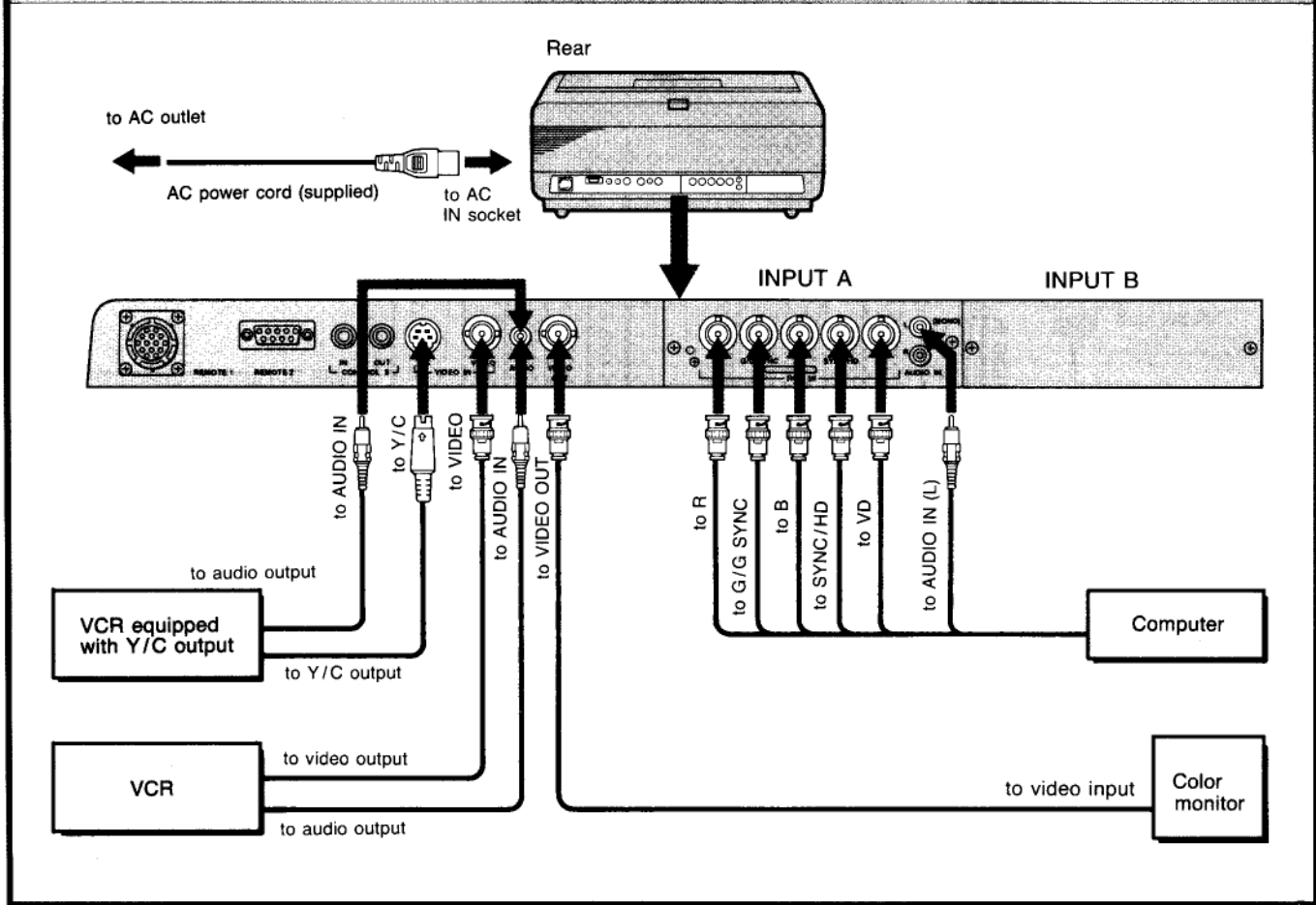
- 1 AC IN socket**
Connect the supplied AC power cord. This socket accepts the power supply of 120 V.
- 2 REMOTE 1 connector** (14-pin, male)
Connect to the REMOTE 1 connector of the PC-1271/1271M switcher (not supplied).
- 3 REMOTE 2 connector** (9-pin, female)
Connect the RS-422 interface for communication with the computers. Refer to the RSM-1270 (RS-422 Interface Manual) to control the projector with the RS-422.
- 4 CONTROL S IN/OUT connectors** (phono type)
Connect to the CONTROL S connectors of other Sony equipment. It is then possible to control the whole system with a single Remote Commander.
CONTROL S IN: Connect to the CONTROL S OUT jack of the supplied Remote Commander to be used as a wired Commander.
- 5 VIDEO IN connectors**
Y/C (4-pin): Connect to the Y/C output of a VCR.
VIDEO (BNC type): Connect to the video output of video equipment.
Note: The VIDEO connector is disconnected automatically when a cable is connected to the Y/C connector.
- 6 AUDIO IN jack** (phono type)
Connect to the audio output of video equipment.
- 7 VIDEO OUT connector** (BNC type)
Connect to the video input of a color monitor. The signal input from the Y/C connector is not output from this connector.
- 8 Indicator**
Lights when INPUT A mode is selected. The optional interface board is also equipped with this indicator which lights when INPUT B mode is selected.
- 9 RGB IN connectors** (BNC type)
R, G/G SYNC, B, SYNC/HD, VD connectors:
Connect to the RGB outputs of a computer or a video camera.
- 10 AUDIO IN L/R jacks** (phono type)
Connect to the audio outputs of a computer or a video camera connected to the RGB IN connectors. For stereo equipment, use AUDIO L and R IN jacks. For monaural equipment, use AUDIO L IN jack only.
Note: The projector is monaural so that sound is not reproduced in stereo.

Connecting to the Projector Directly

You can expand the system connections by installing the optional interface board to INPUT A or B, or in combination with the examples mentioned below.

Connecting Video Equipment and a Computer Equipped with the RGB Output

When a color monitor is not connected to the computer



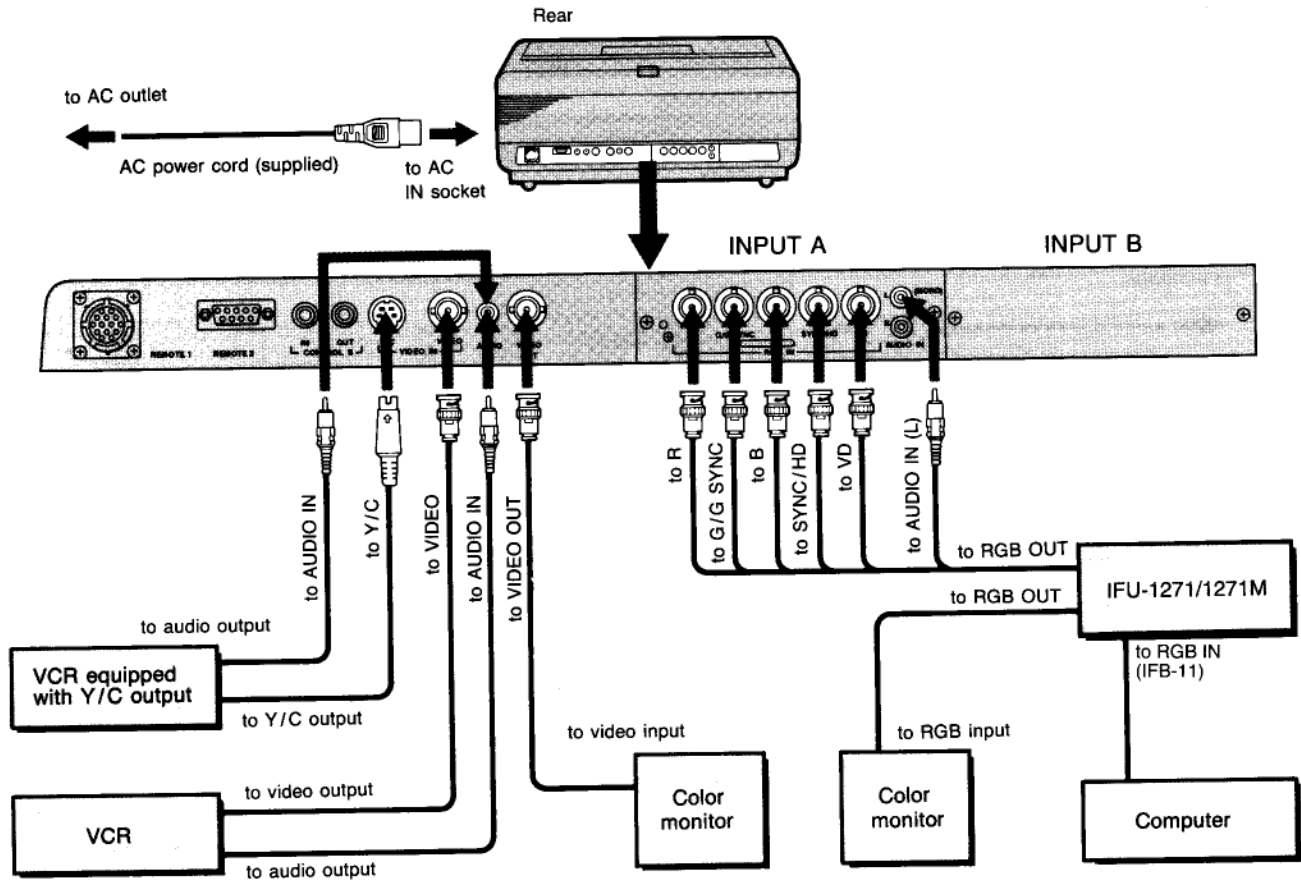
Notes

- The VIDEO connector is disconnected automatically when a cable is connected to the Y/C connector.
- The external sync signal has priority over the internal sync signal. However, when the external sync signal is incomplete, the internal sync signal has priority.

Connecting to the Projector Directly

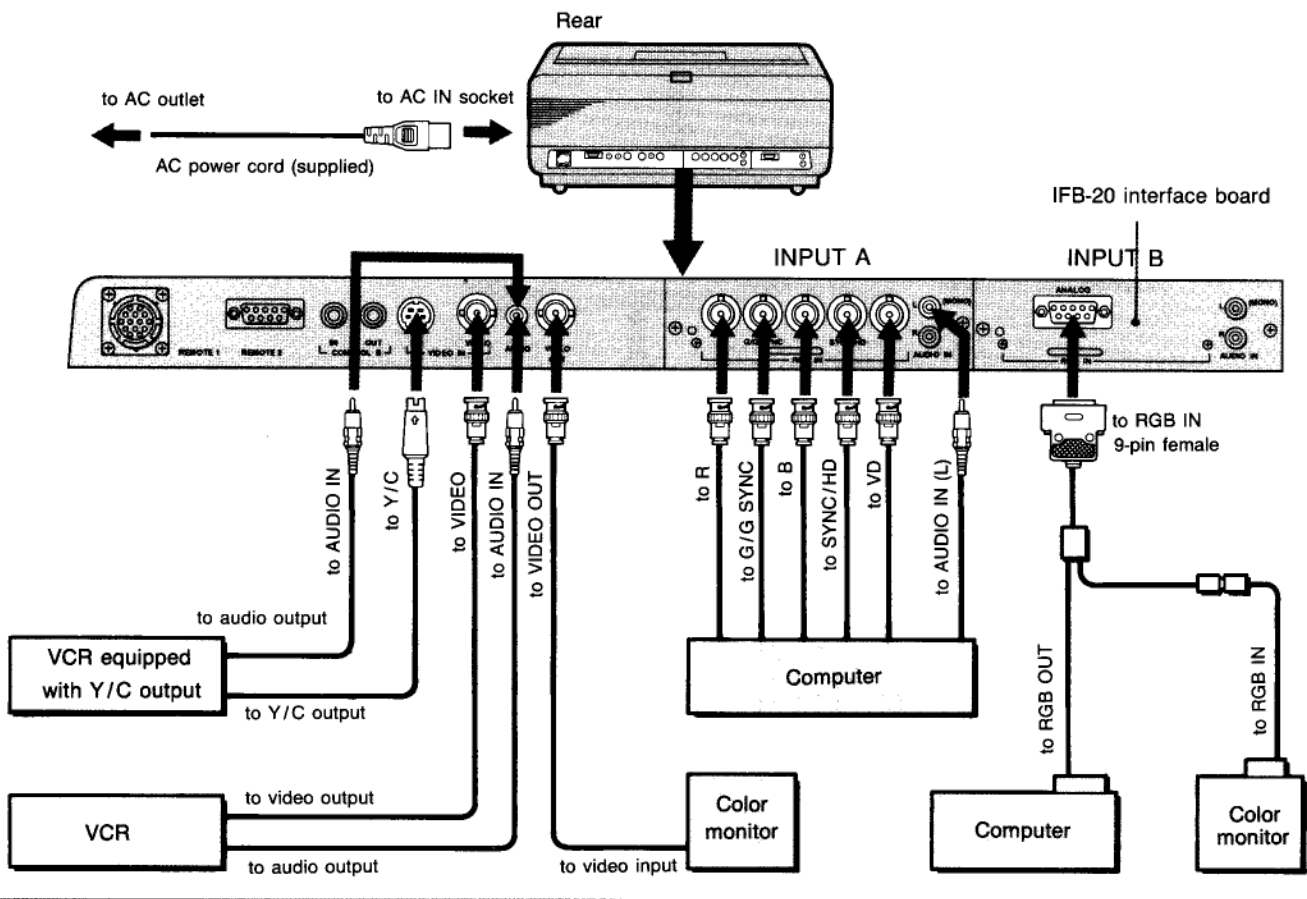
When a color monitor is connected to the computer

Use the IFU-1271/1271M interface unit.



When a computer is connected to the projector using the SIC-series connecting cable

Install the optional interface board to the INPUT A or INPUT B section.



Note

Use the standard SIC cable. Be sure not to extend the length of the cable. Otherwise, the picture may be distorted.

Installing the optional interface board

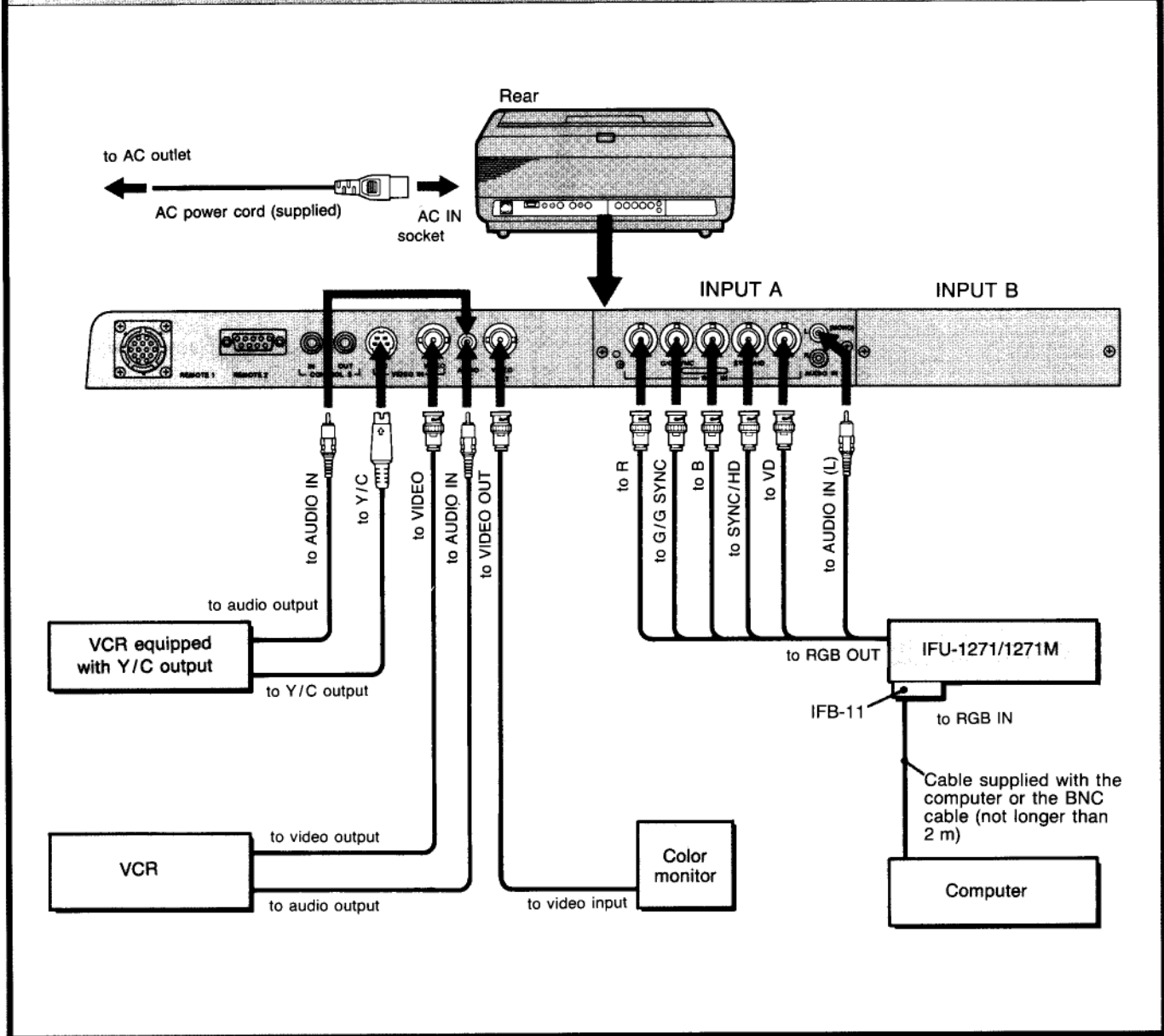
- 1 Loosen two screws on the INPUT A or INPUT B panel and pull out the board out towards you. (The screws are retained in the hole, to prevent their getting lost.)
- 2 Insert the optional interface board and tighten the screws.

Connecting When the Projector Is Away from Other Equipment

Use the IFU-1271/1271M interface unit or the PC-1271/1271M switcher (not supplied)

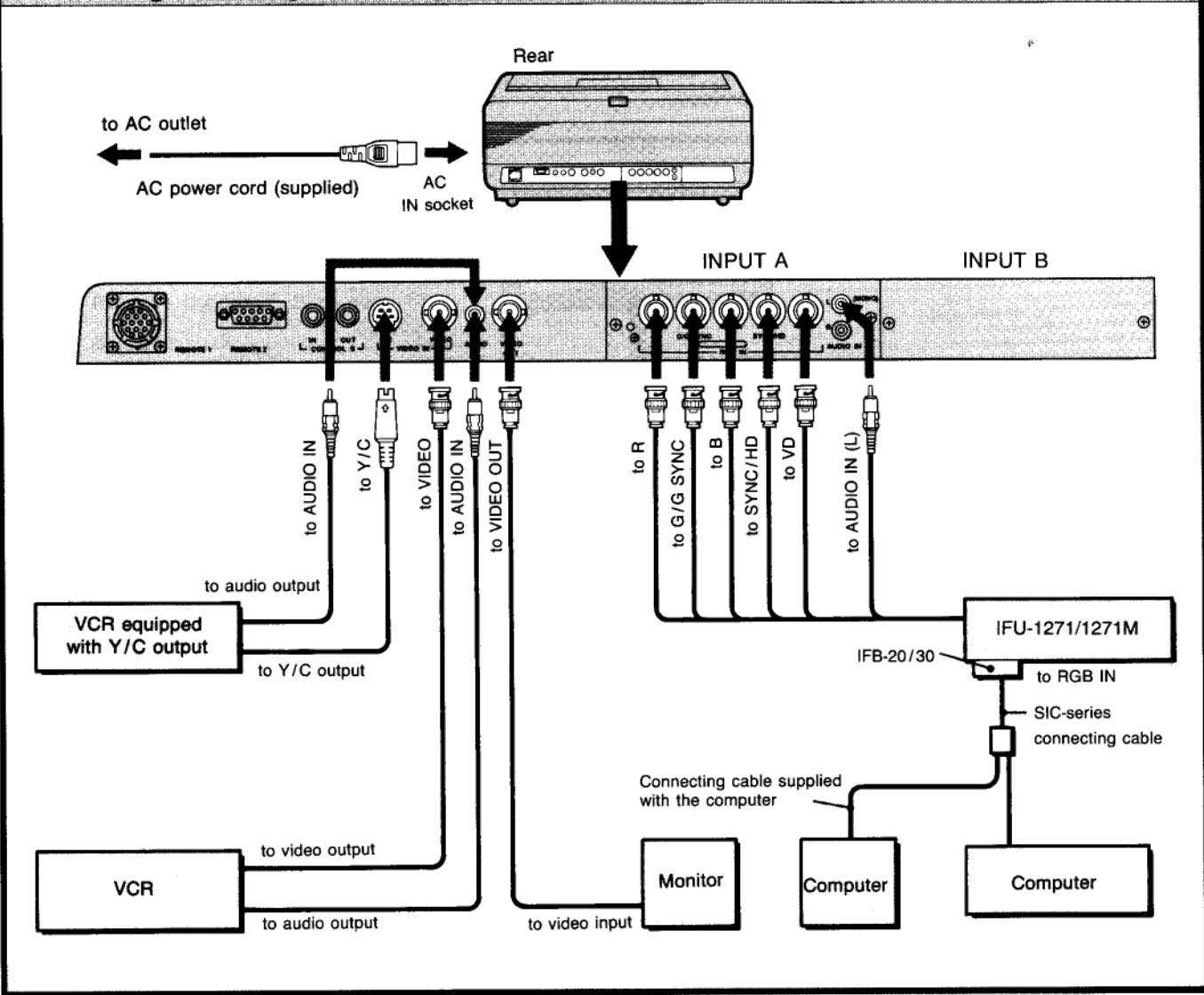
Using the IFU-1271/1271M Interface Unit

Connecting a computer using the BNC cable



- If a color monitor is used, connect the RGB input on the monitor to the RGB OUT connectors on the IFU-1271/1271M interface unit.

Connecting the computer using the SIC-series connecting cable



Use the appropriate cable for connection between the projector and the IFU-1271/1271M referring to the following table.

Cable length	Up to 10 m	Up to 25 m	Up to 50 m
Cable thickness	1.5C-2V (SIC-10)	3C-2V	5C-2V

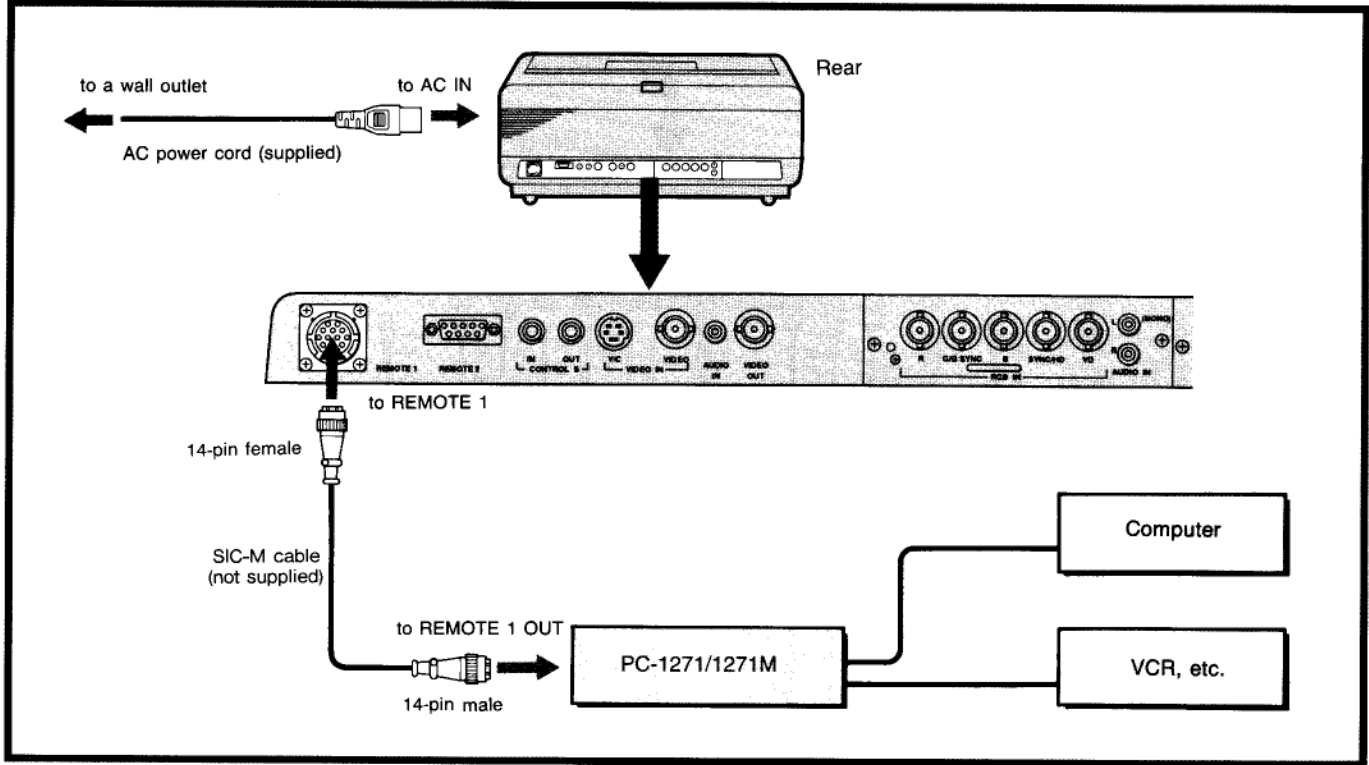
Using the PC-1271/1271M Switcher

Connect the projector to the PC-1271/1271M switcher using the SIC-M connecting cable. See page 42 for connection.

Connecting More Than Four Input Sources

When you use the PC-1271/1271M switcher (not supplied), you can connect easily more than four input sources.

You can select up to 16 inputs by pressing the SWITCHER/INDEX keys on the Remote Commander or the SWITCHER keys on the control panel of the projector.



Use the appropriate cable among the following table.

1 m	2 m	5 m	10 m	15 m	25 m	50 m
—	CCQ-2BRS	CCQ-5BRS	CCQ-10BRS	—	CCQ-25BRS	CCQ-50BRS
SIC-M-1	—	SIC-M-5	—	SIC-M-15	SIC-M-25	SIC-M-50

Notes

- Insert the female and male plugs of the SIC-M cable correctly.
- The SIC-M cable can be extended to maximum 50 m.
- The equipment can be connected to the VIDEO IN and the RGB IN connectors even when the switcher is connected.

Using the SWITCHER/INDEX (SWITCHER) keys

When you use the Remote Commander, set the SWITCHER/INDEX select switch to SWITCHER. Press the number key from 1 to 8 to select the input number of the switcher. The SECOND key is used when two switchers are connected. To control the second switcher (whose SINGLE/SECOND/OTHER switch is set to SECOND), first press SECOND and then the number key.

5BNC Mode Setting

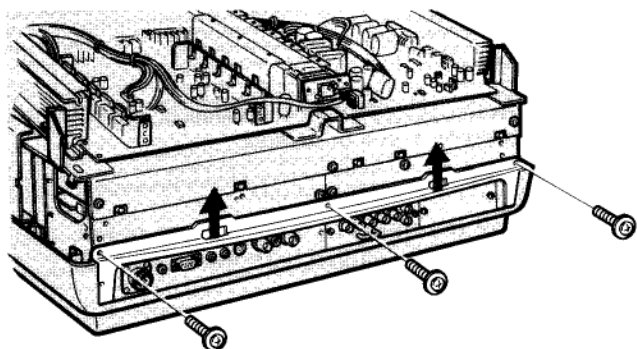
When the RGB signal is input to the projector through the PC-1270/1270M switcher from 25 to 50 m away, the picture may be distorted. In this case, first turn off the MAIN POWER switch and follow the steps below. If the PC-1271/1271M switcher is used, setting is necessary.



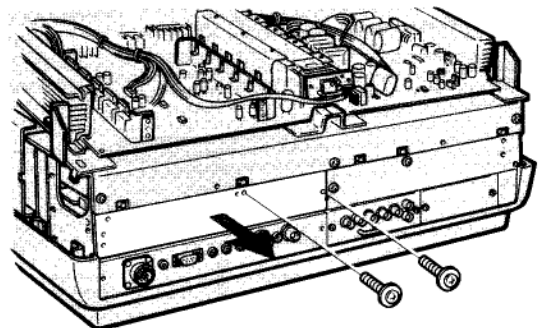
Selecting the internal switch and connecting the switcher

1 Remove the hood. (See page 15.)

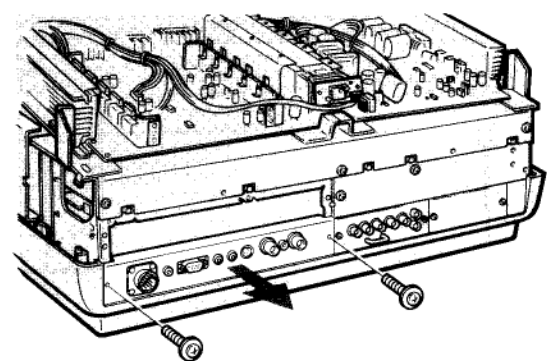
2 Remove the three screws on the upper part of the connector panel frame and remove it.



3 Remove the two screws on the upper part of the VIDEO connector panel and remove the cover.



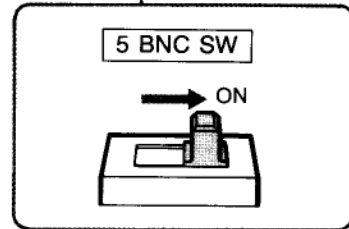
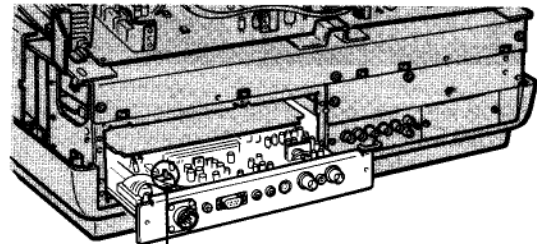
4 Remove the screws on the left and right side of the VIDEO connector panel and pull the panel out toward you.



To be continued

Connecting More Than Four Input Sources

- 5** Set the SW1:5BNC SW to ON.
The switch is on the BB board of the connector panel.



- 6** Return the projector to the original condition.
Follow steps 1 to 4 in reverse.

- 7** Connect the REMOTE 1 connectors of the projector and switcher with the CCQ BRS cable.

- 8** Connect the RGB IN connectors of the projector and the MONITOR OUT connectors of the switcher with five BNC cables.

