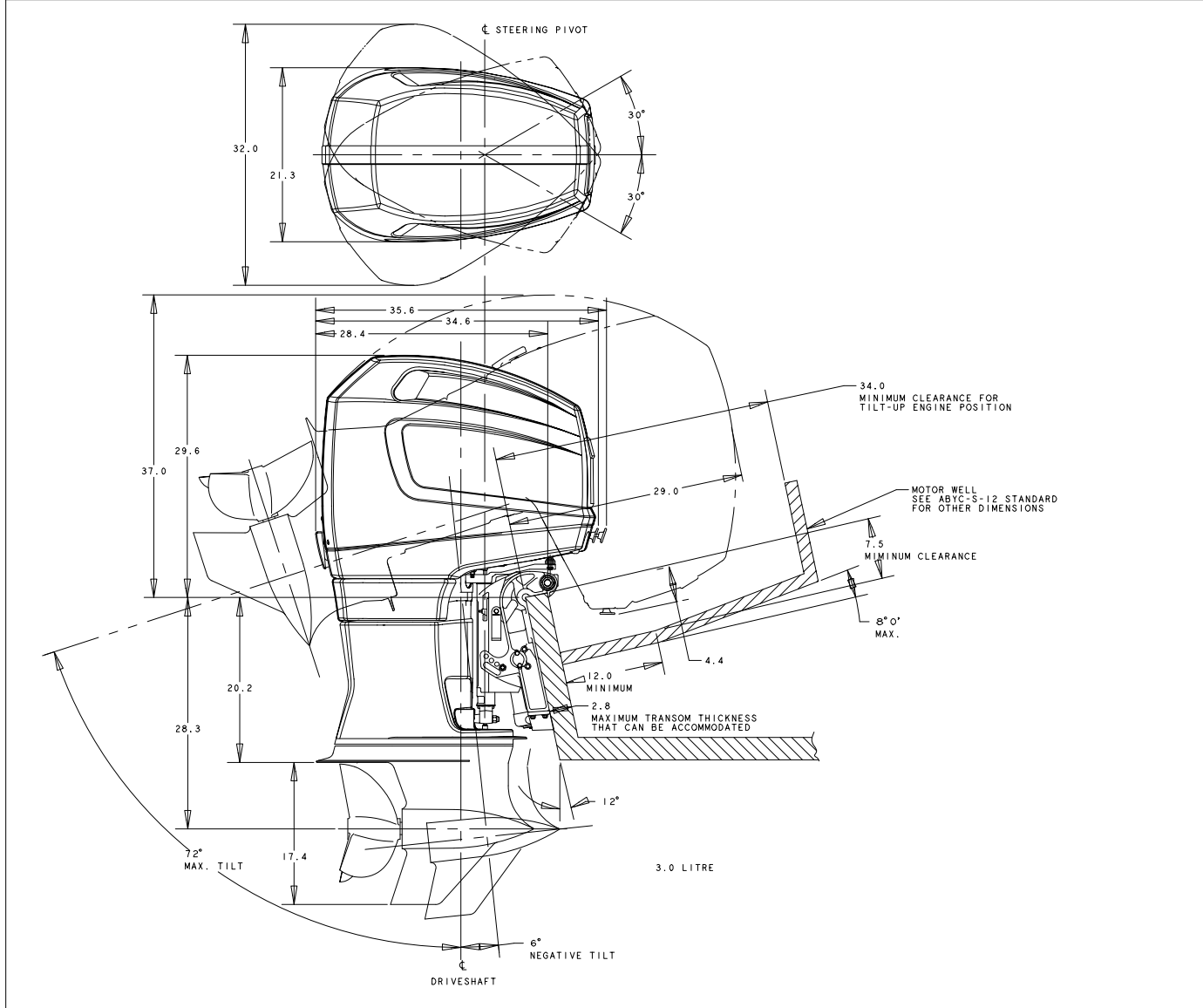


LET.	DRAWING RELEASE OR BRIEF DESCRIPTION OF CHANGE	BY	DATE	E.C.N. No.
	DRAWING RELEASE	A J L	05 14 98	9 3 3

COMPUTERIZED DOCUMENT
NO MANUAL REVISIONS PERMITTED



MERCURY HI-PERFORMANCE DIV. OF BRUNSWICK CORP. FOND DU LAC, WI. 54935		DRAWN BY A J L DA 5-4-98 SHT. 1 OF 1
TITLE INSTALLATION DRAWING 3.0		
DO NOT SCALE	PART No.	
DWG. SIZE B	90-840196-5	
SCALE: 1=12		