

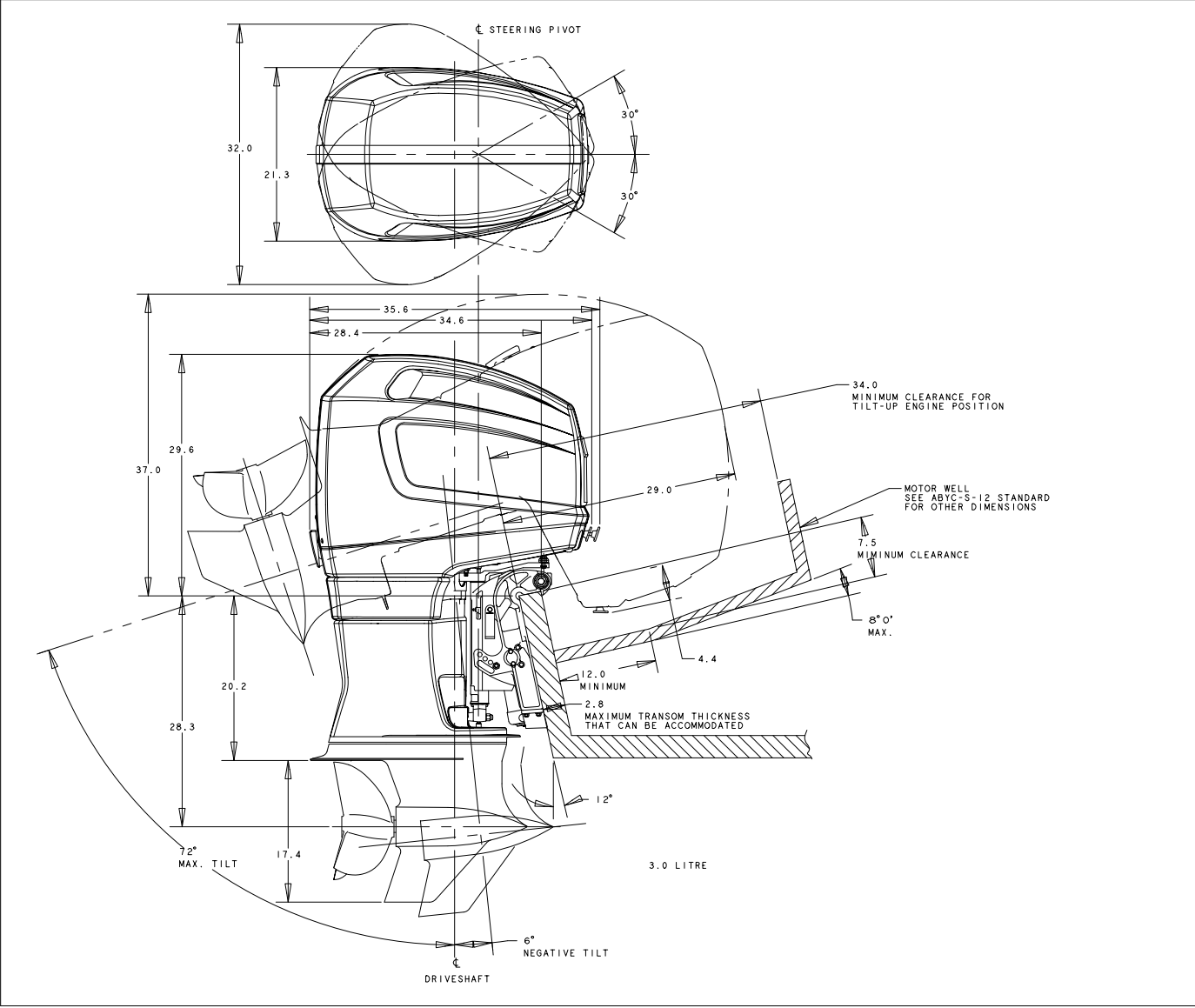
LET.	DRAWING RELEASE OR BRIEF DESCRIPTION OF CHANGE	BY	DATE	E.C.N. No.
	DRAWING RELEASE	A J L	05 14 98	9 3 3

COMPUTERIZED DOCUMENT  
NO MANUAL REVISIONS PERMITTED

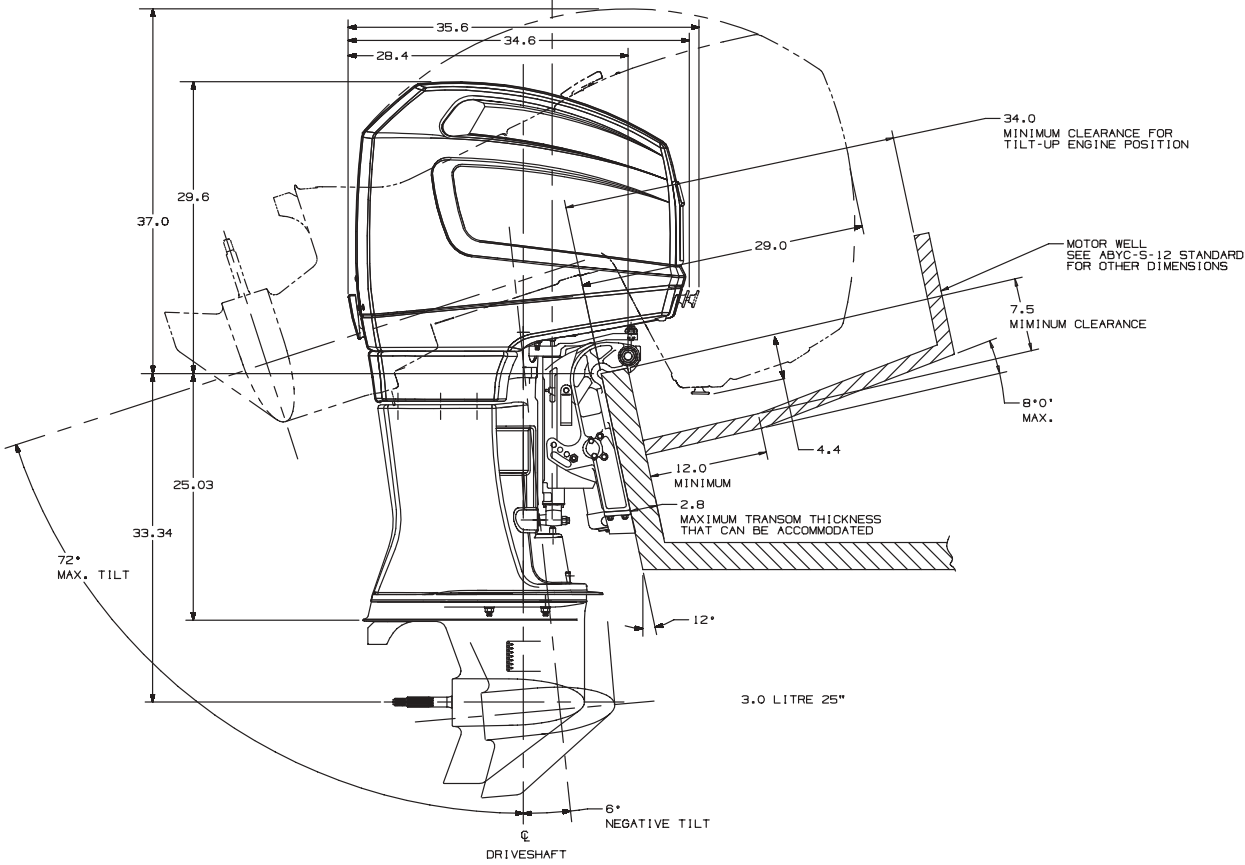
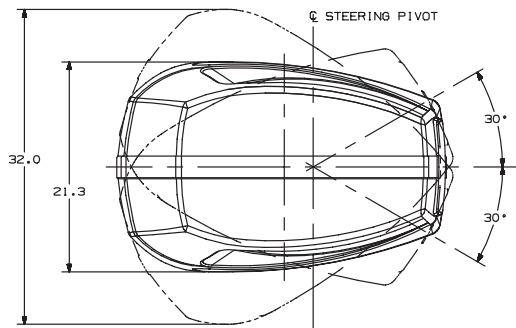
MERCURY HI-PERFORMANCE DIV. OF BRUNSWICK CORP. FOND DU LAC, WI. 54935		DRAWN BY AJL DA 5-4-98 SHT. 1 OF 1
TITLE INSTALLATION DRAWING 3.0 (INTEGRAL TRIM PUMP)		
DO NOT SCALE	PART No.	
DWG. SIZE B	90-840196-4	
SCALE: 1=12		

LET.	DRAWING RELEASE OR BRIEF DESCRIPTION OF CHANGE	BY	DATE	E.C.N. No.
	DRAWING RELEASE	A J L	05 14 98	9 3 3

COMPUTERIZED DOCUMENT  
NO MANUAL REVISIONS PERMITTED



MERCURY HI-PERFORMANCE DIV. OF BRUNSWICK CORP. FOND DU LAC, WI. 54935		DRAWN BY AJL DA 5-4-98 SHT. 1 OF 1
TITLE INSTALLATION DRAWING 3.0		
DO NOT SCALE	PART No.	
DWG. SIZE B	90-840196-5	
SCALE: 1=12		



LET.	DRAWING RELEASE OR BRIEF DESCRIPTION OF CHANGE	BY	DATE	E.C.N. No.
—	DRAWING RELEASE	AJL	04 10 02	684

COMPUTERIZED DOCUMENT  
NO MANUAL REVISIONS PERMITTED

MERCURY HI - PERFORMANCE DIV. OF BRUNSWICK CORP. FOND DU LAC, WI. 54935		DRAWN BY AJL
DATE 4-10-02		SHT. 1 OF 1
TITLE INSTALLATION DRAWING 300X PRO MAX 25"		
DO NOT SCALE	PART No.	
DWG. SIZE B	90-840196-11	
SCALE: 1=12		